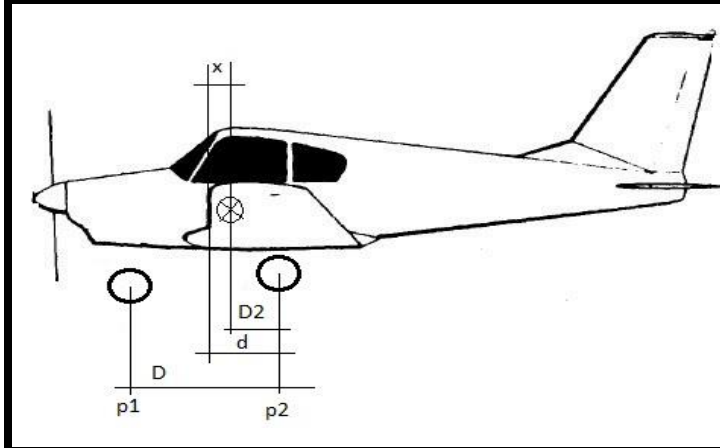


METRIC	Weight and Balance	Date :	03/05/2013
		Place:	Deanland
		Signature :	<i>James Bentley</i>

Aircraft Type	GARDAN GY80-180	Level Datum	Lower Horizontal door frame
Registration	G-GYBB	CG Datum :	Wing Leading edge where it meets fuel tank

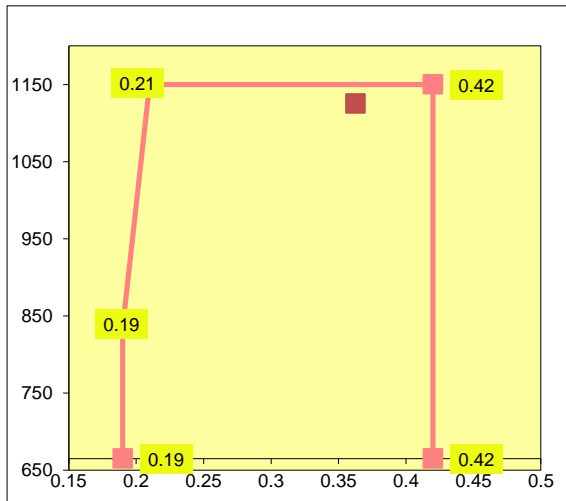


Calculated Distance of CG to main wheels: D2 = (p1 * D/M) =	0.442 metres
Distance of CG to the datum (Lever Arm): X = (d - D2) =	0.208 metres
Moment =	139.93
Where	Weight kg
Left Wheel	245.1
Right Wheel	247.1
Front Wheel (p1)	180
Total Empty Weight (M)	672.2

Datum to Main Dx	d (in m)	=	0.65
Inter wheel Dx	D (in m)	=	1.65

<u>Example Loading (Heavy)</u>

<u>Flight Envelope</u>	<u>Loading</u>
------------------------	----------------



	Masse (kg)	Lever arm (m)	Moment (m x kg)
Aircraft Empty	672.2	0.208	139.93
Pilot + front pax	180.0	0.330	59.47
Rear Pax	90.0	1.040	93.60
Baggage	50.0	1.550	77.50
Fuel (Wings)	108.0	0.120	12.96
Fuel (Rear)	25.2	0.980	24.70
Total	1,125.4	0.363	408.16
Maximum Take off Mass	1150		
Fuel Wings	150	x 0.72 =	108
Fuel Rear	35	x 0.72 =	25.2

- .20828 metres = 8.2 inches (1150kg)
- .42418 metres = 16.7 inches (1150kg)
- .18796 metres = 7.4 inches (835Kg)

Glide = 1.5 Miles per 1000 feet at 80 MPH
(8000 feet to get mid channel to coast)

Baggage Max 70Kg re SB 21